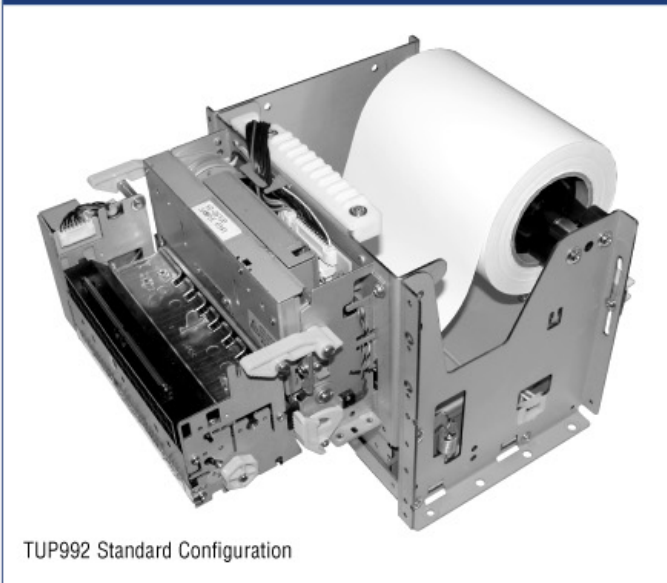


TUP900 Direct Thermal Kiosk Mechanism

TUP900 SERIES



TUP992 Standard Configuration

The TUP900 printing solution from Star Micronics brings the ultimate in flexibility and performance to kiosk printing. Its modular design eases integration with many different kiosk configurations.

The looping presenter of the TUP900 ensures jam-free operation by eliminating user access to the document while it is printing. The presenter also allows for the capture of documents which are not removed by the user.

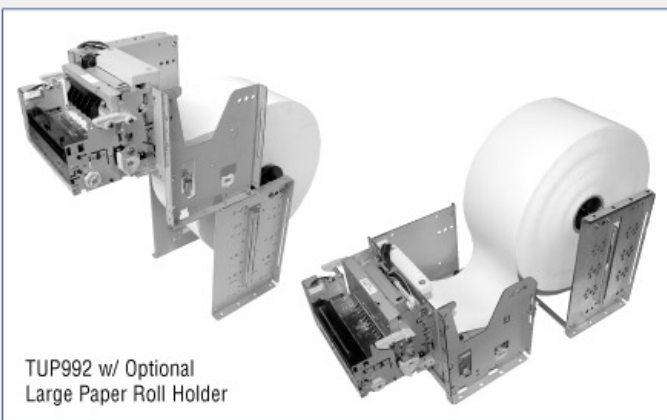
Paper handling capabilities up to 6" diameter paper rolls (up to 10" with optional paper roll holder unit) with widths from 80 to 112 mm give the TUP900 ultimate paper flexibility. The large roll paper holder combined with the looping presenter ensure many hours of unattended operation.

Ideal for:

- Unattended public operation
- Ticketing
- Gaming
- Lottery
- Web Kiosks
- ...and more

FEATURES

- Looping Presenter Virtually Eliminates Paper Jams
- Modular Design for Easy Mounting/Integration
- Semi-Automatic Paper Loading
- Serial, Parallel, USB and Ethernet interfaces available
- 203 dpi Resolution
- Graphics Printing
- Adjustable Print Width
- 150 MM/SEC Print Speed



TUP992 w/ Optional Large Paper Roll Holder

PRINTER

Model No.	Description	Part No.
TUP992-24	Kiosk Printer w/ Presenter	39469200

OPTIONS

Model No.	Description	Part No.
PS60L-24A	Universal Power Supply	30781440
RHU-T900	Large Paper Roll Holder Unit	39590020

INTERFACES

Model No.	Description	Part No.
IFBD-HC04	Parallel Interface	39607410
IFBD-HD04	Serial Interface	39607400
IFBD-HN04	9-Pin Serial Interface	39607420
IFBD-HU04	USB Interface	36907420
IFBD-HE04	Ethernet Interface	39607430

All specifications subject to change without notice

SPECIFICATIONS

Print Method	Direct Thermal (Single & Two-Color Printing)
Print Resolution	203dpi (8 dots/mm)
Print Speed	150mm/sec
Print Width	72-104mm (adjustable)
Paper Width	80-112mm (adjustable)
Autocutter	Full-cut, Guillotine Style
Presenter	Looping Presenter with Document Capture & Long Journal Mode
Interface	Serial, Parallel, USB and Ethernet
Drivers	Windows, Mac OS X, Linux, OPOS, JavaPOS
Power Required	24vdc

BASIC SPECIFICATIONS

Paper Specification	Width (mm)	79.5±0.5 – 111.5±0.5
	Thickness (mm)	0.065 – 0.15
	Diameter (mm)	Outer Max. 150 (Max. 250 w/ Large Paper Roll Holder)
	Paper roll shaft	One Inch (Standard) Parts for 2 inch and 3 inch core are included in package
Low Paper Sensor	Included, Adjustable	
Black Mark Sensor	Included (Label & Ticket Printing)	
Tension Bar	Included (Paper Clutching Mechanism)	
Interface	Options –	
	IFBD-HC04 (Parallel)	
	IFBD-HD04 (Serial)	
	IFBD-HN04 (9-Pin Serial)	
	IFBD-HU04 (USB)	
	IFBD-HE04 (Ethernet)	
Operation Panel	Included with package	
Options	PS60L-24A power supply	
	Large paper roll holder unit	
Safety Standards	CD Marking, FCC Class A, VCCI Class A (Not included – UL/C-UL/C-tick/TUV)	
Standard Layout	The control board is installed at the bottom of the paper holder unit, when product is shipped from factory.	
Dimensions (mm)	192 (W) x 289.5 (D) x 207 (H) (With Paper)	
	192 (W) x 249.3 (D) x 179 (H) (Without Paper)	
	Conditions: Control board is on bottom, paper outer diameter is 150 mm.	

LARGE CAPACITY ROLL PAPER HOLDER UNIT

Dimensions (mm)	192.1 (W) x 127.5 (D) x 209.2 (H) (Without paper)
Other	Standard unit must be used with Large Capacity Roll Paper Holder Unit.

All specifications subject to change without notice