

# TSP400 SERIES

## Versatile Thermal, Barcode, Label and Ticket Printers

### FEATURES

- ✦ High speed thermal POS, label and ticket printer
- ✦ Quality barcode/graphics printer with PDF417 or maxicode capability
- ✦ Thick paper capability (0.15mm) on model TSP442
- ✦ Large paper capacity with adjustable roll widths
- ✦ Dual operating modes for receipt & label printing

### MODELS AVAILABLE

**TSP412D - Serial Interface, Tear Bar Version**

**TSP442D - Serial Interface, Autocutter Version**

**Options:** Low cost, user installable parallel or RS422A interfaces available for both versions.

### APPLICATIONS

#### Label Printer

Barcodes, Pricing, Warehousing, Addresses

#### Barcode Printer

Industry Standard Plus PDF417 or Maxicode 2 Dimensional Barcode Option

#### Fast Receipt Printer

POS Systems

#### Admission Ticket Printer

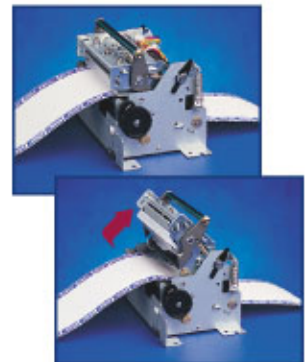
Museums, Theatres, Cinemas, Amusement Parks, ability to print on security paper



High quality admission tickets to museums, theatres or cinemas can all be printed by this versatile printer on plain or pre-printed ticket stock.



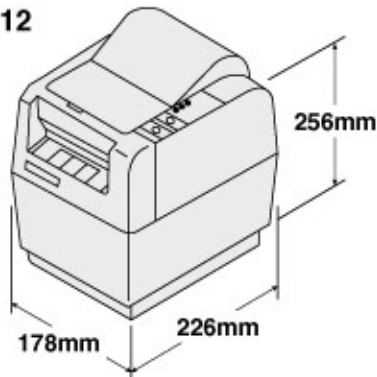
The TSP400 is capable of printing a variety of resident barcodes and can be upgraded to include the highly complex PDF417 two dimensional barcode, capable of coding up to 1024 characters.



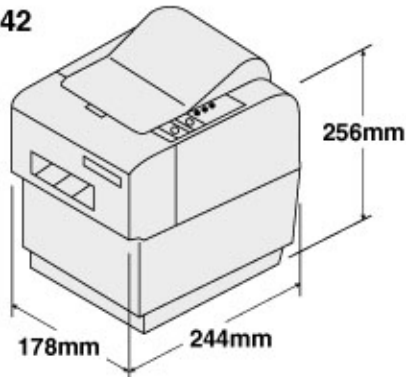
Straight through paper path with accessible thermal head release for easy user maintenance.

## DIMENSIONS

### TSP412

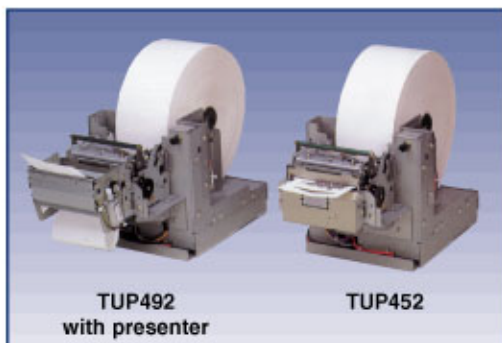


### TSP442



## OPEN FRAME VERSIONS TUP492 / TUP452

Open frame printer versions are also available with similar performance specifications as detailed above. They offer our customers fast, effective and reliable kiosk printing solutions with low installation and running costs.



## TSP400 THERMAL PRINTER SPECIFICATIONS

<b>Print Speed</b>	50mm/sec., 25mm/sec (16.7 LPS @ 3mm/line)
<b>Print Width</b>	75mm line mode (2.9"/80mm page mode (3.15"))
<b>Line Spacing</b>	3mm, 4mm (default)
<b>Resolution</b>	203 dpi
<b>No. of Columns</b>	40 (max. 50) line mode, 80 page mode
<b>Barcodes</b>	UPC, JAN, EAN, Code 39/93/128, ITF, NW7, Maxicode, PDF417-optional
<b>Paper Specifications</b>	
<b>Width</b>	60mm(2.36")-82mm (3.2")(adjustable)
<b>Thickness</b>	0.06-0.08mm
<b>Roll Diameter</b>	115mm (4.5") TSP442, 83mm (3.27") TSP412
<b>Paper Path</b>	Straight
<b>Paper Sensors</b>	Near end, paper end, transmissive sensor for labels, reflective sensor for use with black marks
<b>Reliability</b>	
<b>Printer</b>	38 million lines MCBF (CRT)
<b>Cutter</b>	300,000 cuts (model TSP442)
<b>Operating Conditions</b>	
<b>Temperature</b>	5°C-40°C
<b>Humidity</b>	25%-85% RH
<b>Power Supply</b>	Built-in, 110V AC (50-60 Hz)
<b>Interface</b>	Serial RS232C, Parallel (IEEE1284), RS422A (optional)
<b>Data Buffer</b>	8K bytes
<b>Emulation</b>	Star line mode & Star page mode
<b>Cash Drawer</b>	2 drivers with compulsion sensor
<b>Autocutter</b>	Full cut (model TSP442)
<b>Drivers</b>	Win '95/'98/2000, NT4.0, OPOS, JavaPOST™
<b>Safety Standards</b>	UL, CSA, TUV
<b>Case Color</b>	Putty