

## 19" TFT LCD Display

# POS Application



Where Versatility Meets Flexibility

## P19BH

Configuration	P19BH
LCD Display	19" TFT active matrix panel
Pixel Pitch	0.294 (H) x 0.294 (V) mm
Max. Resolution	SXGA 1280 x 1024
Contrast Ratio	1000:1 (Typ.) <small>wo sensor or glass</small>
Brightness	400 nits / CCFL 350 nits / LED <small>wo sensor or glass</small>
Response Time (Tr+Tf)	5 ms (Typ.)
Display Color	16.7M
Effective Display Area	376.4 (H) x 301.1 (V) mm
Viewing Angle (CR ≥ 10)	170°(H) x 160°(V) (Typ.) <small>wo sensor or glass</small>
Lamp Life (hr) / Backlight	50,000
Stand Base	Tilt down : -5° , Tilt up : +90°
Input Signals	Analog, Digital
Signal Connector	Analog D-Sub15 pin (VGA) Digital DVI-D
Scan Frequency	60 ~ 75 Hz
Audio System	1W / per channel driver
Touch	Panel 5 wire Resistive Touch Interface RS-232 x1 or USB A type x1 or Combo
Power	DC-in Universal Power Adapter Input AC 100~240V, 50~60 Hz Output DC 12V / 4A, 48W
	AC-in Universal 100~240V, 50~60 Hz 1.5A AC input
Operating Condition	Temperature 0°C - 40°C ( 32°F - 104°F ) Humidity 10% - 90% ( no condensation ) Altitude To 10,000 feet
Storage Condition	Temperature -20°C - 60°C ( -4°F - 140°F ) Humidity 10% - 90% ( no condensation )
Dimensions (WxHxD)	438.0 x 417.5 x 180.0 mm
Carton Dimensions (WxHxD)	530.0 x 500.0 x 230.0 mm
Weight (Net)	8 kg
Certification	EMC CE / FCC
	Safety UL / c-UL / TUV (AC type) / CB
	Other RoHS / WEEE
Standard Pallet Loading	40 units ( 1150 x 1060 x 2120 mm )
20' / 40' container Loading	330 sets / 726 sets

### Features

- ⊙ High contrast color TFT LCD display support resolution up to 1280 x 1024. Compatible with IBM, VGA, VESA standards.
- ⊙ Support DDC 1/2B for Plug & Play compatibility.
- ⊙ Advanced OSD control for picture quality adjustment.
- ⊙ Auto detects multi-signals input.
- ⊙ Optional front panel **IP54** standard.
- ⊙ VESA mounting.

### Optional Accessories (MOQ)

- ⊙ Choice of black , or white color .
- ⊙ Anti-Glare ; Anti-Reflective tempered glass
- ⊙ Burst-Proof Glass
- ⊙ Capacitive / SAW Touch Solution
- ⊙ Customized Touch Solutions acceptable
- ⊙ Video Signal input
  - Signal Connector : RCA / S-Video
  - NTSC / PAL / SECAM video systems compatible .

### [ Project Base ]

- ⊙ Cable Management Stand .
- ⊙ USB 2.0 Hub (4 downstream ports and 1 upstream port).
- ⊙ DVI-I Interface

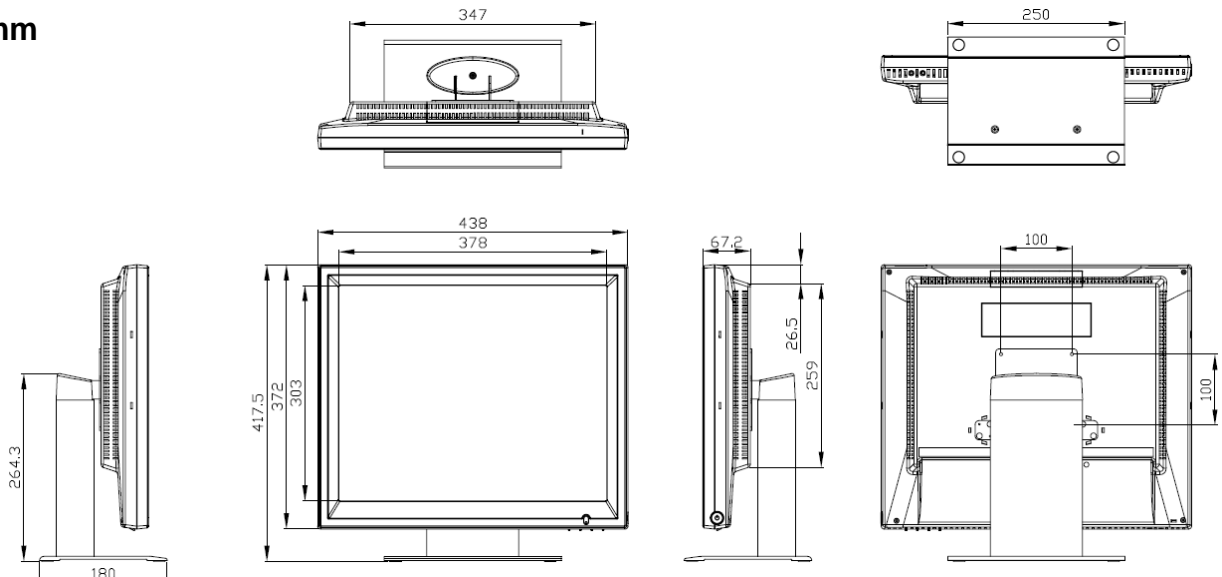
### Touch Sensor Specification

Type	5W Resistive	Capacitive	SAW
Transmission	80% ± 2%	91.5% ± 1.5%	92% ± 2%
Interface	USB + RS-232	USB or RS-232	USB + RS-232
Durability	35 million times	3-years	3-years
OS Support	DOS ; Windows Embedded / 95 / 98 / NT / ME / CE / 2000 / XP / Vista / 7 Linux Mac OS X / OS 9.x		

\* Specifications are subject to change without notice.

### Mechanical Drawing

Unit : mm



# P19BH

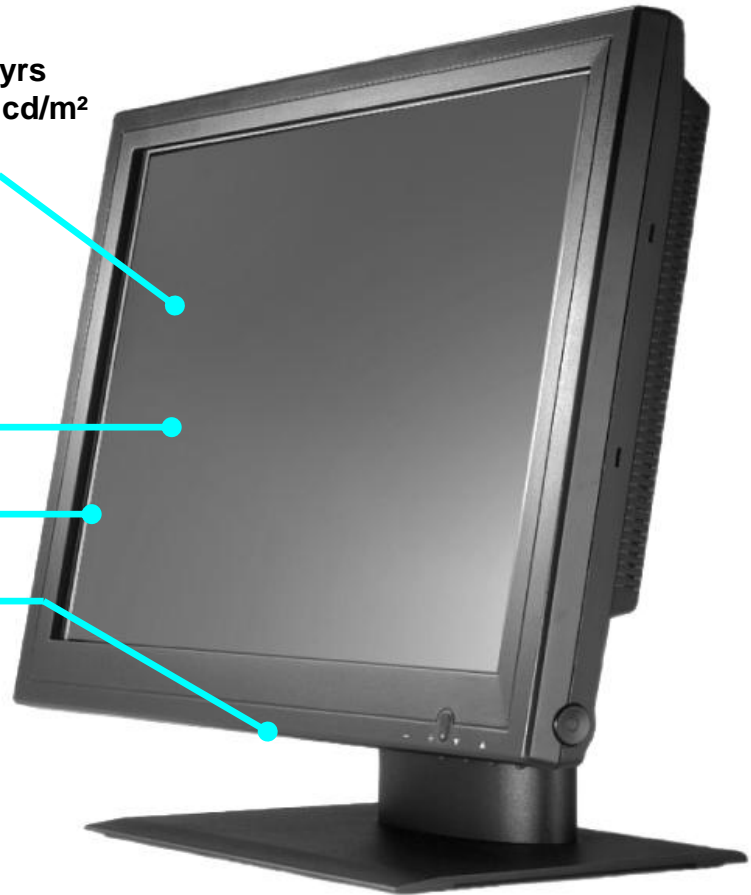


Industrial Panel - long term support 3 yrs  
- high brightness 400 cd/m<sup>2</sup>  
- lamp life : 50K hr

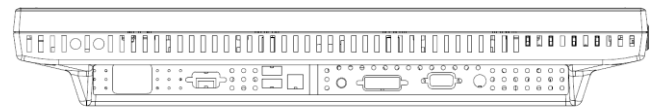
- Resistive (5W) Touch Sensor
- Capacitive Touch Sensor
- SAW Touch Sensor
- AG / AR tempered glass
- Burst-Proof Glass

Front Panel IP54 level

Speakers: 1W x 2Ch.



VESA 100mm x 100mm Wall



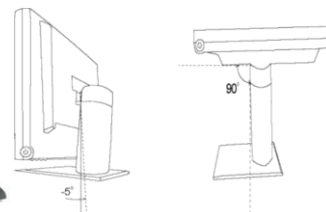
AC in (Optional) Touch (RS-232) Touch (USB-A) Audio in DVI VGA DC in (Optional)

### Standard Input Signals

- VGA \*1
- DVI-D or DVI-I (optional) \*1
- Audio \*1
- VDC:12V or VAC:100~240V \*1

### Optional Function

- RS-232 for Touch \*1
- USB-A or USB-B for Touch \*1
- RS-232 + USB-A for Touch \*1
- S-Video \*1
- RCA \*1



Tilt angle - 5° to 90°