

15" TFT LCD Display

POS Application



Where Versatility Meets Flexibility

P15BX

Configuration		P15BX
LCD Display		15" TFT active matrix panel
Pixel Pitch		0.297 (H) x 0.297 (V) mm
Max. Resolution		XGA 1024 x 768
Contrast Ratio		700:1 (Typ.) <small>wo sensor or glass</small>
Brightness		250 cd/m ² (Typ.) <small>wo sensor or glass</small>
Response Time (Tr+Tf)		8 ms (Typ.)
Display Color		16.2M
Effective Display Area		304.1 (H) x 228.1 (V) mm
Viewing Angle (CR ≥ 10)		140°(H) x 130°(V) (Typ.) <small>wo sensor or glass</small>
Lamp Life (hr) / Backlight		35,000 (Typ.) or 50,000 (Typ.) / CCFL
Stand Base		Tilt down : -5° , Tilt up : +90°
Input Signals		Analog, Digital
Signal Connector	Analog	D-Sub15 pin (VGA)
	Digital	DVI-D
Scan Frequency		60 ~ 75 Hz
Audio System		1W / per channel driver
Touch	Panel	5 wire Resistive
	Touch Interface	RS-232 x1 or USB A type x1 or Combo
Power		Universal Power Adapter
	DC-in	Input AC 100~240V, 50~60 Hz
		Output DC 12V / 3.3A, 40W
	AC-in(optional)	Universal 100~240V, 50~60 Hz
		0.5A AC input
Operating Condition	Temperature	0°C - 40°C (32°F - 104°F)
	Humidity	10% - 90% (no condensation)
	Altitude	To 10,000 feet
Storage Condition	Temperature	-20°C - 60°C (-4°F - 140°F)
	Humidity	10% - 90% (no condensation)
Dimensions (WxHxD)		351.0 x 314.5 x 140.0 mm
Carton Dimensions (WxHxD)		438.0 x 460.0 x 214.0 mm
Weight (Net)		4.5 kg
Certification(EMC)		CE / FCC
Certification(DC-in type)	Safety	UL / c-UL / TUV / CB
	Other	CCC(optional) / RoHS / WEEE
Standard Pallet Loading		40 units (1070 x 880 x 1960 mm)
20' / 40' container Loading		540 sets / 1,170 sets

Features

- ⊙ High contrast color TFT LCD display support resolution up to 1024 x 768. Compatible with IBM, VGA, VESA standards.
- ⊙ Support DDC 1/2B for Plug & Play compatibility.
- ⊙ Advanced OSD control for picture quality adjustment.
- ⊙ Auto detects multi-signals input.
- ⊙ Optional front panel **IP54** standard.
- ⊙ VESA mounting.

Optional Accessories (MOQ)

- ⊙ Choice of black , or white color .
- ⊙ Anti-Glare ; Anti-Reflective tempered glass
- ⊙ Burst-Proof Glass
- ⊙ Capacitive Touch Solution
- ⊙ Customized Touch Solutions acceptable
- ⊙ Video Signal input
 - Signal Connector : RCA / S-Video
 - NTSC / PAL / SECAM video systems compatible .

[Project Base]

- ⊙ Cable Management Stand .
- ⊙ USB 2.0 Hub (4 downstream ports and 1 upstream port).
- ⊙ DVI-I Interface
- ⊙ AC-in solution (FCC / UL only)

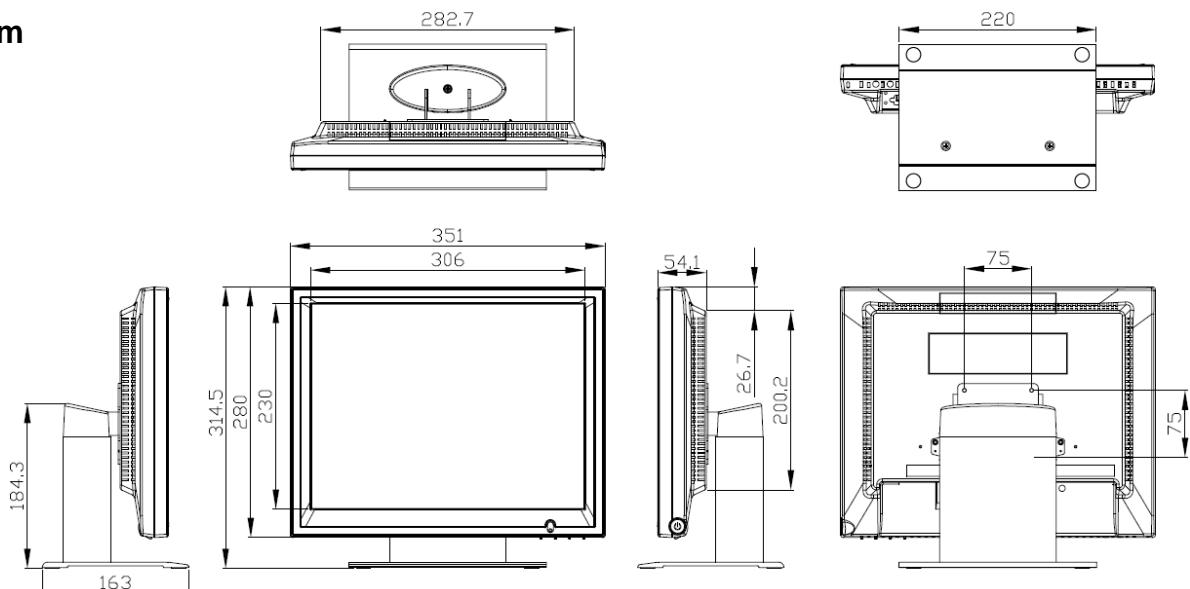
Touch Sensor Specification

Type	5W Resistive	Capacitive	
Transmission	80% ± 2%	91.5% ± 1.5%	
Interface	USB + RS-232	USB or RS-232	
Durability	35 million times	3-years	
OS Support	DOS ; Windows Embedded / 95 / 98 / NT / ME / CE / 2000 / XP / Vista / 7 / Linux / Mac OS X / OS 9.x		

* Specifications are subject to change without notice.

Mechanical Drawing

Unit : mm



P15BX

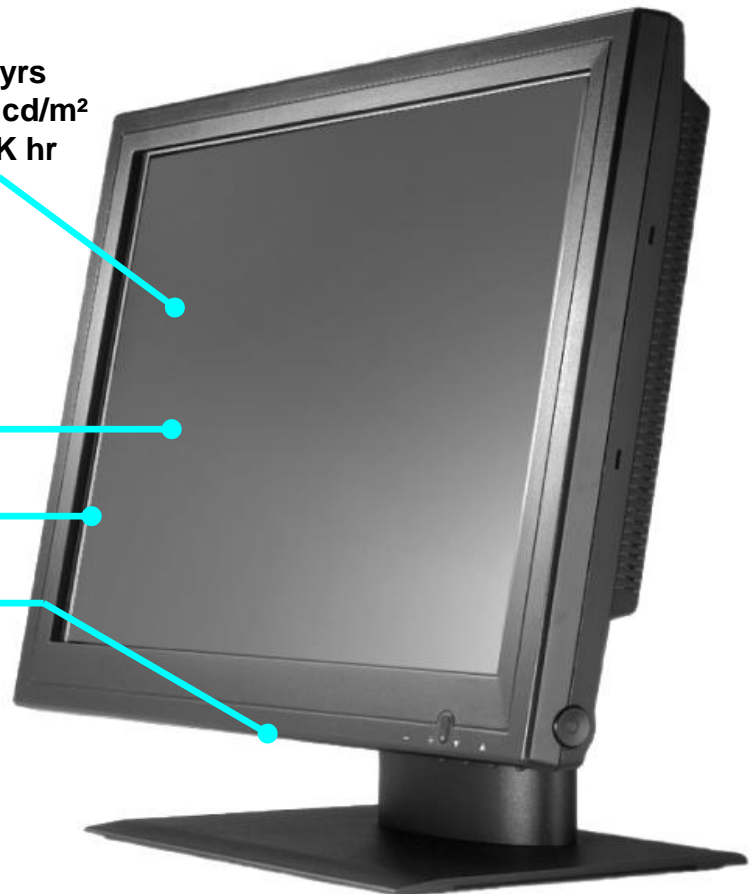


Industrial Panel - long term support 3 yrs
- high brightness 250 cd/m²
- lamp life : 35K or 50K hr

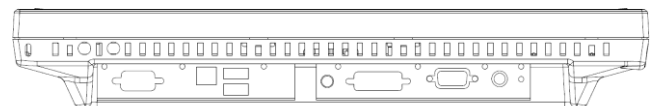
- Resistive (5W) Touch Sensor
- Capacitive Touch Sensor
- AG / AR tempered glass
- Burst-Proof Glass

Front Panel IP54 level

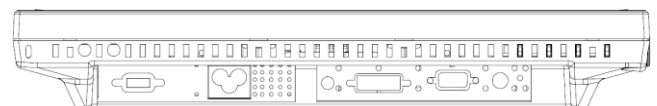
Speakers: 1W x 2Ch.



VESA 100mm x 100mm Wall



Touch (RS-232) Touch (USB-A) Audio in DVI VGA DC in



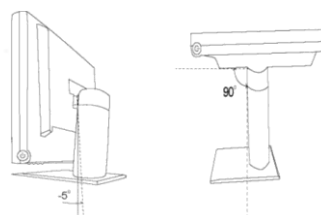
Touch (USB-A) AC in Audio in DVI VGA

Standard Input Signals

- VGA *1
- DVI-D or DVI-I (optional) *1
- Audio *1
- VDC:12V or VAC:100~240V *(optional)

Optional Function

- RS-232 for Touch *1
- USB-A or USB-B for Touch *1
- RS-232 + USB-A for Touch *1
- S-Video *1
- RCA *1



Tilt angle :- 5° ~ 90°