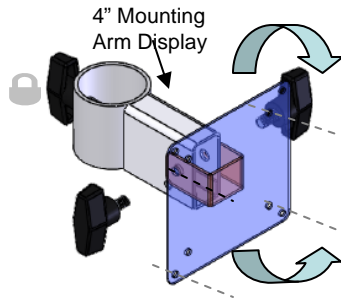
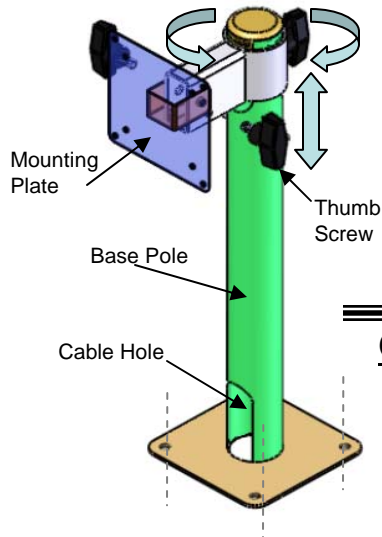


17" BASE DISPLAY POLE WITH 4" ARM 75/100MM KIT

P/N: 225-76110-04

Quick Installation Instructions



Options/Replacement Parts



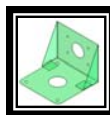
Plastic
Black
Cap

P/N: 225-76902-04



Thumb
Screw

P/N: 225-76901-04



Side
Mounting
Bracket

P/N: 225-76140-04

GENERAL SPECIFICATIONS

Rotation: 360° around display pole

Height: 17 in (43.18 cm)

Tilt Adjustment: +/- 45°

Pole Diameter: 2 inches

Maximum Load: Designed for LCD Monitors / touch-screens weighting up to 30 lbs (13.60kg)

Display: Designed for VESA 75mm or 100mm mounting standard

Mounting Options: Flat surface or on side-mount bracket

Cable Management: Designed with top and bottom openings for easy and convenient cable routing.

Color: Black

INSTALLATION

1. Remove Pole Display from packaging. Tightly secure the base pole by bolting four (4) screws through the base plate to a flat surface or by using the side-mount bracket.
2. Remove the 4" Mounting Arm from packaging. The 4" arm comes preassemble.
3. Secure the mounting plate in front of the arm to the back of the flat screen monitor by placing four (4) screws on the corresponding VESA mounting dimension (75mm or 100mm).
4. With the monitor safely secured to the arm, place the arm on the pole (as shown in illustration). The arm should rest on the dual pem nuts on each side of the pole.
5. Secure the arm's height and horizontal position by tightening the thumb screw located in the back of the arm.
6. Secure the monitor's tilt adjustment by tightening the two side thumb screws behind the mounting plate on each side of the arm.
7. Remove top plastic cap from top of the pole and guide cable connections down and out through the bottom opening.
8. Make cable connections as needed.

TOOLS AND HARDWARE REQUIRED

- Hardware is NOT included. Hardware will need to suit desktop or platform thickness.
- Phillips Head Screwdriver or power drill (if necessary)

NOTE: For replacement parts and/or additional accessories, contact your supplier or visit our website at <http://www.mmfpos.com>

Please visit MMF POS on-line for FREE Technical Support or call 1-800-769-1954.