



Color
Printing
Solutions



F680 Digital Photo Printer

High-speed, professional-quality photo printing wherever you need it

Make every event instantly memorable.

Professional photo quality

Get high-speed, professional-quality photo printing with the new Zebra F680 digital photo printer. On location or in your studio, the Zebra F680 delivers superb image quality in 3.5" x 5", 4" x 6", 5" x 7", and 6" x 8" prints instantly.

The F680's modern dye sublimation print engine and built-in image processing technology provide high reliability, advanced features and flexibility. Your customers' prints are crisp and vibrant, and they are protected from fingerprints and smudges due to the F680's protective coating.

You'll sell more prints in less time with the speed and production features of the Zebra F680. Borderless 4x6-inch prints take 10 seconds each, and a built-in cutter and high-capacity media minimize operator intervention. Roll-fed printing means lower paper costs, higher print capacity and less time spent reloading supplies.

Lightweight and portable

The Zebra F680 will fit neatly into your workflow. The compact, modern design requires minimal retail counter space and can be placed inside small kiosk enclosures. Weighing 18 pounds, the F680 is ideal for on-site printing, including events, sports, fundraisers, theme parks, and cruise ships.

Zebra Technologies' 35-year reputation for engineering, quality and reliability now extends to professional photo printing. Ask your local Zebra dealer how the new Zebra F680 will work for your business.

Features

- » Small footprint allows for minimal counter space or smaller kiosk enclosure
- » High-volume paper roll reduces waste and reloading
- » Dry thermal printing eliminates wet chemical usage
- » SDK for kiosk application integration

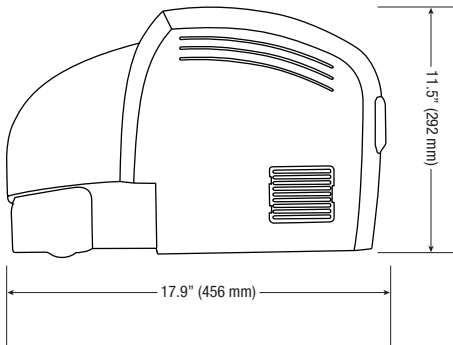
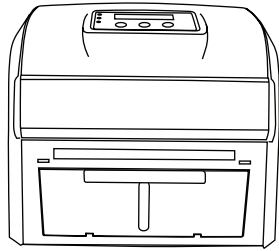
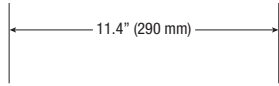
Applications

- » **On-site Printing:** events, sports, fundraisers, theme parks, cruise ships
- » **Studio Production:** school photography, portraits
- » **Retail:** kiosks, photo labs



F680 Digital Photo Printer

Product Specifications



General Specifications	<ul style="list-style-type: none"> » Four print sizes; (3.5" x 5", 4" x 6", 5" x 7" and 6" x 8") » Zebra color printing architecture » 50 print output tray included » USB 2.0 interface
Printing*	<ul style="list-style-type: none"> » Thermal color dye-sublimation transfer » Printing Speed: <ul style="list-style-type: none"> • 10 sec for 3.5 x 5 – inch • 10 sec for 4 x 6 – inch • 19 sec for 5 x 7 – inch • 19 sec for 6 x 8 – inch » Print quality: Continuous tone, 300 dpi » <i>*Specifications subject to change without notice.</i>
Media	<ul style="list-style-type: none"> » YMCO (Yellow, Magenta, Cyan, Overlay) Ribbon <ul style="list-style-type: none"> • Protective overlay coating provides water/fingerprint protection » Surface: Gloss » Paper width: <ul style="list-style-type: none"> • 5 in. (127 mm) • 6 in. (152 mm) » Paper Capacity: <ul style="list-style-type: none"> • 3.5 x 5-inch (89 x 127 mm), up to 700 prints • 4 x 6-inch (102 x 152 mm), up to 700 prints • 5 x 7-inch (127 x 178 mm), up to 350 prints • 6 x 8-inch (152 x 203 mm), up to 350 prints
Minimum System Requirements	<ul style="list-style-type: none"> » Windows® 2000, XP or Vista operating system » Minimum 1.0 GHz PENTIUM III microprocessor » Minimum 512MB RAM (1GB recommended) » 2GB of available hard disk space » NOTE: You may need up to 1GB of RAM and 10GB of hard disk space for acceptable performance with some imaging applications on high performance, multi-tasking operating systems. » USB High Speed (2.0) compliant host device
Communications Interface	<ul style="list-style-type: none"> » USB 2.0 (Standard, USB 1.1 compatible)
Mechanical	<ul style="list-style-type: none"> » Physical dimensions: 11.4" W x 11.5" H x 17.9" D (29.0 cm W x 29.2 cm H x 45.5 cm D) » Weight: 18.2 lbs without ribbon and media
Electrical	<ul style="list-style-type: none"> » Power consumption: 288 Watts maximum » 100 - 240 VAC, 50 - 60 Hz » UL CSA 2, FCC Class A, CE Mark, ICE-2
Environmental	<ul style="list-style-type: none"> » Operating temperature: 59° to 95° F (+15° to 35° C) » Operation humidity: 20 to 80% RH » Ventilation: Free air

6 x 8 – inch*



5 x 7 – inch*



4 x 6 – inch*



*Image sizes are to scale
3.5 x 5 - inch not represented



An ISO 9001 registered company ©2006 ZIH Corp.
Specifications listed are for base model printers with standard features only unless otherwise notes. Specifications subject to change without notice. All product and brand names are trademarks of their respective companies. All rights reserved. All Copyrights, Trade and Service Marks shown or depicted herein are registered by their owners. No infringement is made for or implied by the use thereof. **Part No. F680-07/07**

North America
Zebra Technologies Corporation
Card Printer Solutions
1001 Flynn Road
Camarillo, CA 93012-8706
USA
Telephone: +1 805 579 1800
Fax: +1 805 579 1808
Toll free in US: 800 452 4056
e-mail: cards@zebra.com

Europe, Middle East, Africa
Zebra Technologies Corporation
Card Printer Solutions
The Valley Centre, Gordon Road
High Wycombe
Buckinghamshire HP13 6EQ, UK
Telephone: +44 870 241 1527
Fax: +44 870 241 0765
e-mail: eurosales@zebra.com

Asia Pacific
Zebra Technologies Corporation
Card Printer Solutions
120 Robinson Road
#06-01 Parakou Building
Singapore 068913
Telephone: +65 6858 0722
Fax: +65 6885 0836
e-mail: asiasales@zebra.com

Latin America
Zebra Technologies Corporation
Card Printer Solutions
9800 NW 41st Street, Suite 220
Doral, FL 33178
USA
Telephone: +1 305 558 3100
Fax: +1 305 558 8485
e-mail: latinsales@zebra.com