

DP8340 SERIES

Reliable Receipt / Transaction Printers

FEATURES

- Separate 120V AC, 220V AC, 230V AC (CE) power supply with 12V DC output
- Cash drawer driver

MODELS AVAILABLE

- DP8340FM - Serial, Friction, Two Color Printer
- DP8340FC - Parallel, Friction, Two Color Printer
- DP8340SM - Serial, Sprocket, Two Color Printer
- DP8340SC - Parallel, Sprocket, Two Color Printer
- DP8340RM - Serial, Friction, Two Color Printer
- DP8340RC - Parallel, Friction, Two Color Printer

APPLICATIONS

Receipt Printer

POS systems, Credit Card authorization, Kitchen/remote printer

Mobile Printing

12 volt applications

Record Printer

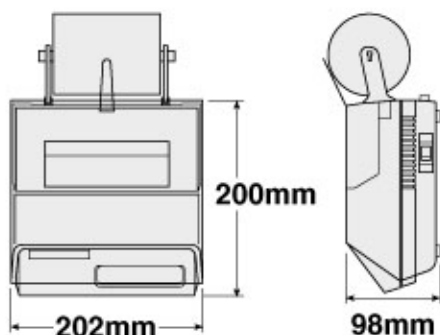
Data logging, Measuring equipment

Label Printing

Sprocket version



DIMENSIONS



DP8340 DOT MATRIX PRINTER SPECIFICATIONS

	DP8340F/S	DP8340R
Print Speed	2 LPS (8.4mm/sec)	3.3 LPS (14mm/sec)
Print Width	3.3" (83.8mm)	2.93" (74.46mm)
Line Spacing	1/6"	
Print Head	9 Pin	
Number of Columns	40	44
Print Direction	Bi-Directional	
Paper Specifications		
Width	4.5" (FC, FM) 4.5" Sprocket (SC, SM)	3.25"
Thickness	1 ply; 0.07mm -0.09mm Original and one copy; max 0.13mm	
Roll Diameter	3.5"	N/A
Copies	Original + 1 copy	
Paper Sensors	Paper Out	
Ribbon		
Type	Spool	
Life	Black/Red: 800,000/400,000 Black 800,000	
Reliability		
Printer Head	10 million MCBF (CRT) 70 million characters	
Operating Conditions		
Temperature	5°C-40°C	
Humidity	10%-80% RH	
Interface	Serial RS232C, Parallel (IEEE1284), 20mA current loop (FD&SD) option	
Data Buffer	1.5K bytes	
Emulation	DP8340 mode	
Options	External Power Supply PS8340	
Cash Drawer	1 Driver (Serial), 2 Drivers (Parallel)	
Autocutter	N/A	
Drivers	Win '95/'98/2000, NT4.0, OPOS, JavaPOS™	
Safety Standards	UL, CSA, TUV	
Case Color	Putty	